

Wiper voltages

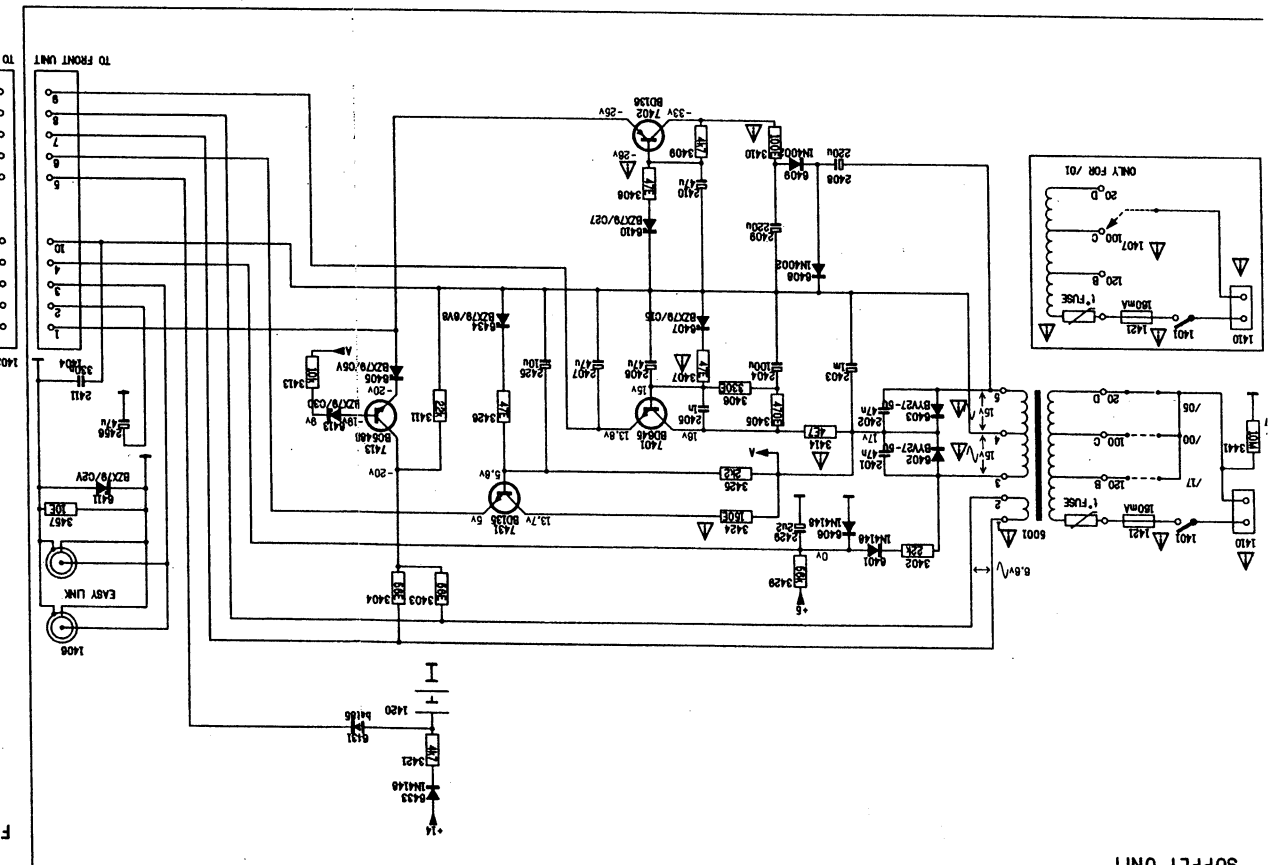
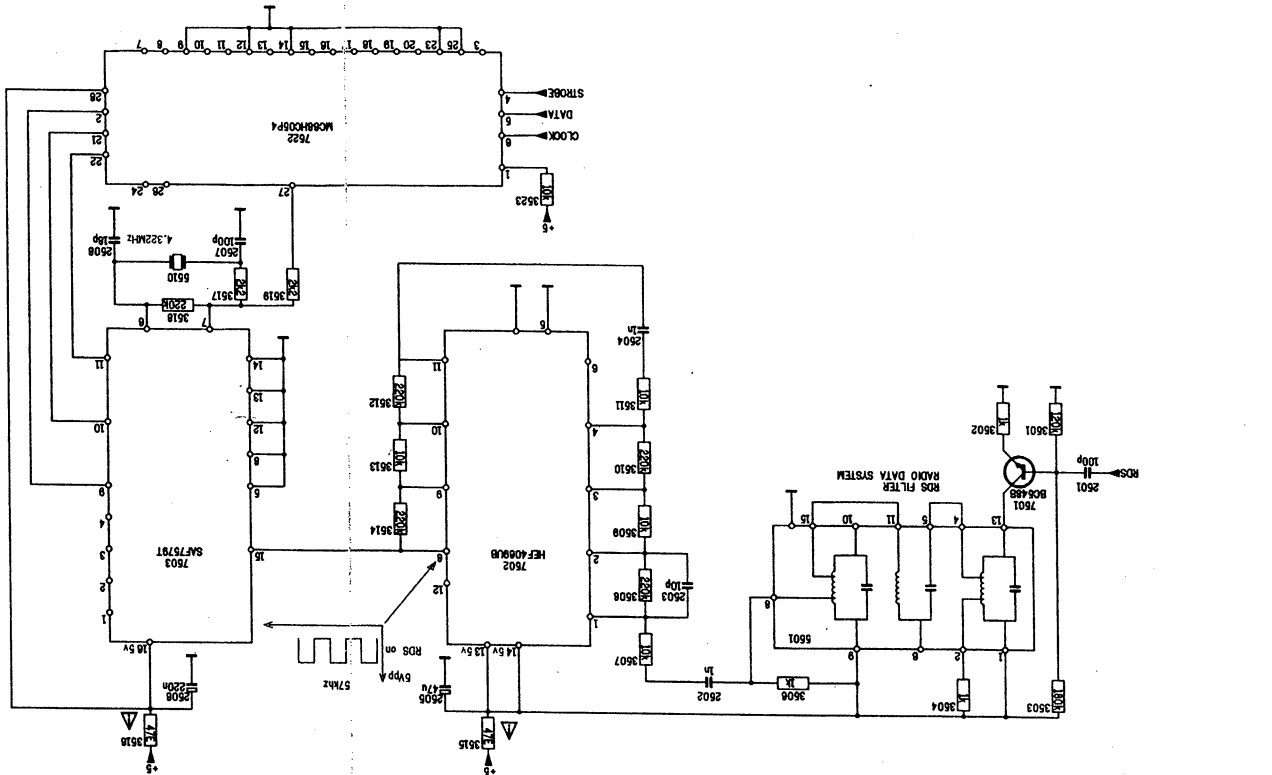
FM	1.084V	7.8V
FM	1.811V	8.5V
FM	5.224V	1.1V
FM	2.982V	1.5V
LW	1.298V	1.1V
LW	1.710V	8.5V
AM	5.930V	1.5V

VERSION	6122	6123
X - GAGE MOUNTED	X	X
	/01	/17

* - ONLY FOR /17
 * - ONLY FOR /01 AND /05
 * - ONLY FOR /17 AND /01
 * - ONLY FOR /1730
 * - NOT FOR /1730

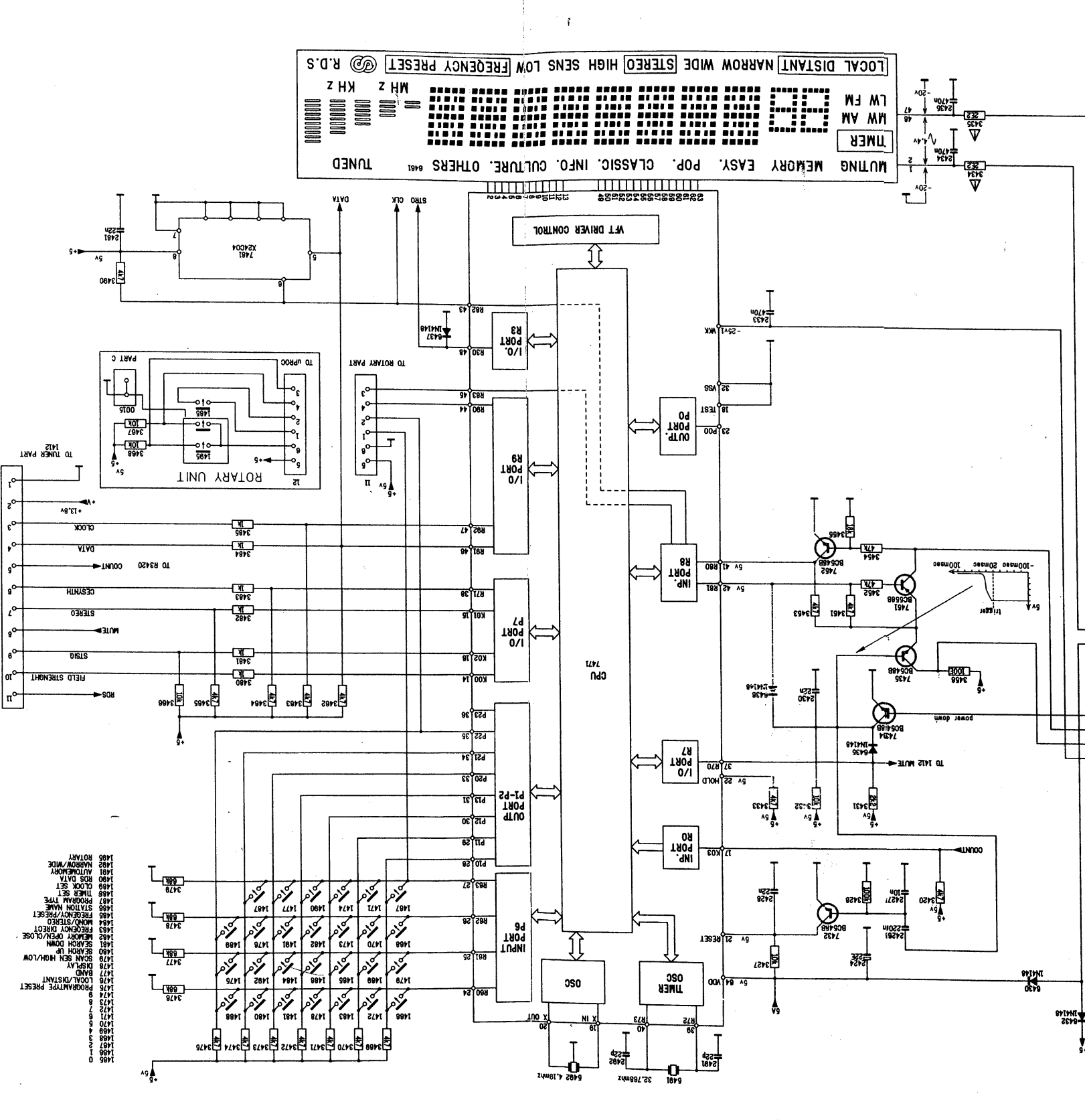
TUNER

TUNER UNIT



SUPPLY UNIT

FRONT UNIT



- 1485 ROTARY
- 1486 ROTARY
- 1487 ROTARY
- 1488 ROTARY
- 1489 ROTARY
- 1490 ROTARY
- 1491 ROTARY
- 1492 ROTARY
- 1493 ROTARY
- 1494 ROTARY
- 1495 ROTARY
- 1496 ROTARY
- 1497 ROTARY
- 1498 ROTARY
- 1499 ROTARY
- 1500 ROTARY
- 1501 ROTARY
- 1502 ROTARY
- 1503 ROTARY
- 1504 ROTARY
- 1505 ROTARY
- 1506 ROTARY
- 1507 ROTARY
- 1508 ROTARY
- 1509 ROTARY
- 1510 ROTARY
- 1511 ROTARY
- 1512 ROTARY
- 1513 ROTARY
- 1514 ROTARY
- 1515 ROTARY
- 1516 ROTARY
- 1517 ROTARY
- 1518 ROTARY
- 1519 ROTARY
- 1520 ROTARY
- 1521 ROTARY
- 1522 ROTARY
- 1523 ROTARY
- 1524 ROTARY
- 1525 ROTARY
- 1526 ROTARY
- 1527 ROTARY
- 1528 ROTARY
- 1529 ROTARY
- 1530 ROTARY
- 1531 ROTARY
- 1532 ROTARY
- 1533 ROTARY
- 1534 ROTARY
- 1535 ROTARY
- 1536 ROTARY
- 1537 ROTARY
- 1538 ROTARY
- 1539 ROTARY
- 1540 ROTARY
- 1541 ROTARY
- 1542 ROTARY
- 1543 ROTARY
- 1544 ROTARY
- 1545 ROTARY
- 1546 ROTARY
- 1547 ROTARY
- 1548 ROTARY
- 1549 ROTARY
- 1550 ROTARY
- 1551 ROTARY
- 1552 ROTARY
- 1553 ROTARY
- 1554 ROTARY
- 1555 ROTARY
- 1556 ROTARY
- 1557 ROTARY
- 1558 ROTARY
- 1559 ROTARY
- 1560 ROTARY
- 1561 ROTARY
- 1562 ROTARY
- 1563 ROTARY
- 1564 ROTARY
- 1565 ROTARY
- 1566 ROTARY
- 1567 ROTARY
- 1568 ROTARY
- 1569 ROTARY
- 1570 ROTARY
- 1571 ROTARY
- 1572 ROTARY
- 1573 ROTARY
- 1574 ROTARY
- 1575 ROTARY
- 1576 ROTARY
- 1577 ROTARY
- 1578 ROTARY
- 1579 ROTARY
- 1580 ROTARY
- 1581 ROTARY
- 1582 ROTARY
- 1583 ROTARY
- 1584 ROTARY
- 1585 ROTARY
- 1586 ROTARY
- 1587 ROTARY
- 1588 ROTARY
- 1589 ROTARY
- 1590 ROTARY
- 1591 ROTARY
- 1592 ROTARY
- 1593 ROTARY
- 1594 ROTARY
- 1595 ROTARY
- 1596 ROTARY
- 1597 ROTARY
- 1598 ROTARY
- 1599 ROTARY
- 1600 ROTARY